



Joint Closure

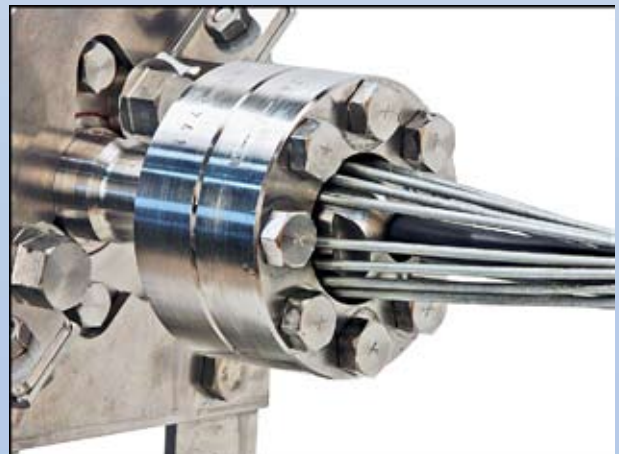
A universal joint closure for optical fibre submarine cables made of highly corrosion resistant material and applicable on most cable designs and between cables of different manufacture





Features

- **Seaflex** is a universal joint closure designed for optical submarine cables. It is made of highly corrosion resistant material and applicable on most cable designs.
- The closure can be used for splicing cables of different manufacture and designs.
- The closure is designed for an easy and quick assembly with ordinary standard tools, with no welding required at the assembly procedure.
- Easy to re-enter.
- The closure consist of a main closure kit with the closure housing and rubber cable bend protections, and cable specific connection kits for each unique cable type.
- The splicing area is designed for accomodation of up to 192 fibres.
- The fibre jointing is carried out with an ordinary fusion splicing machine and using standard splice protection sleeves.
- The interior of the closure is filled with oil in order to protect the fibres.



Seaflex is adaptable on any pulling tension wire configuration



Delivery

The product is delivered in a wooden box containing all the parts required for a complete joint.

Three items are required when ordering a complete joint closure: (1) The main closure kit, and (2 & 3) two cable connection kits.

Optional items are a tool kit and a working bench.

Documentation

The following documents are included with each delivery:

- a) Installation manual
- b) Parts list (joint closure)
- c) Parts list (cable connection kit)

Verification

Each type of cable connection kit is tested and certified according to the requirements for the cable.

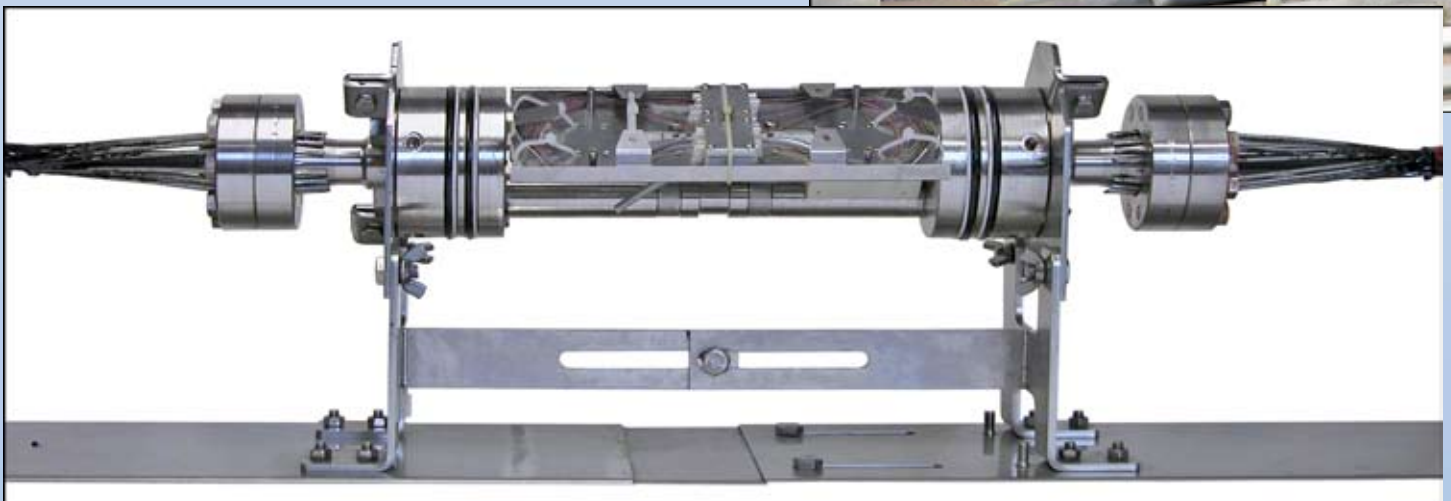
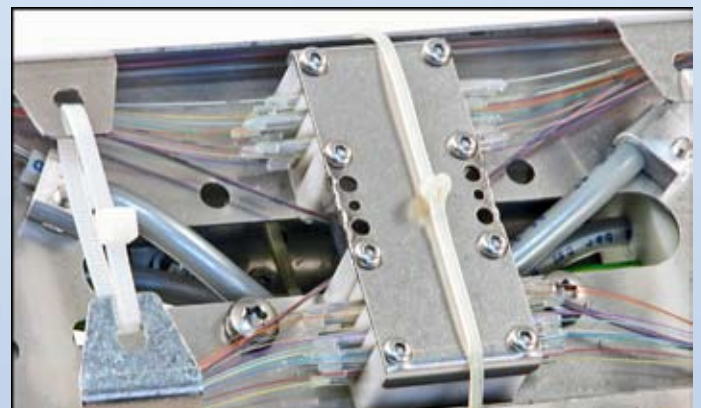
Certification of personnel

TykoFlex carry out customer's personnel certification through training courses.

Specifications

Fibre capacity	Up to 192 fibres (single fibres)
Overall length:	1650 mm
Closure diameter:	115 mm
Bend protection diameter:	160 mm
Closure weight assembled:	48 kg
Approved installation depth:	2000 m
Material:	Stainless steel, off-shore quality
Max tension:	200 kN (closure)
Typical installation and jointing time:	12-14 hours

Seaflex universal joint closure attached to the working bench (bottom) and a close-up of the splicing area (right).





All the parts included in the Seaflex joint closure: the Main Closure Kit (above) and the two Cable Connection Kits (left).

